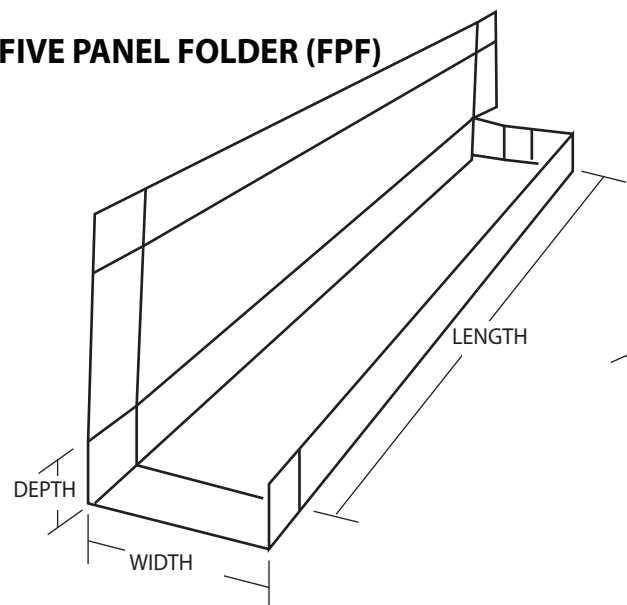


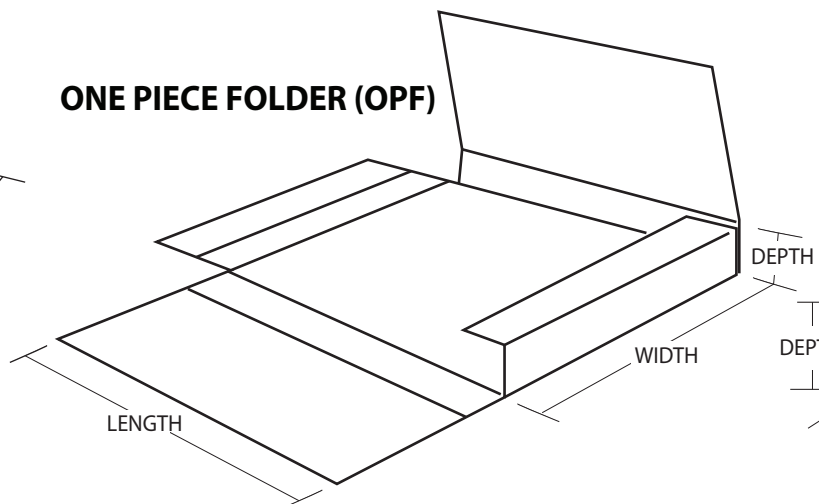


Personalized Packaging Systems™

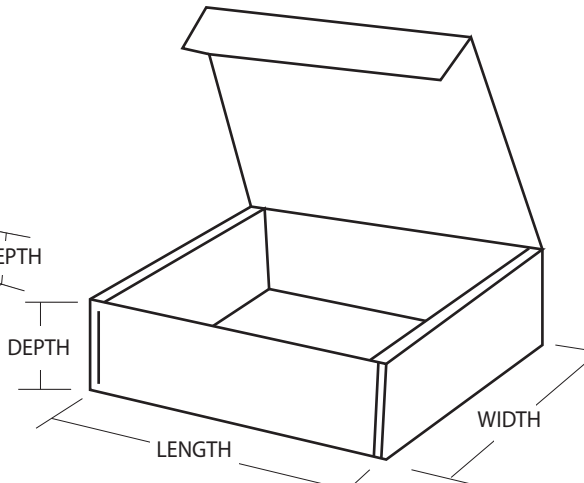
FIVE PANEL FOLDER (FPF)



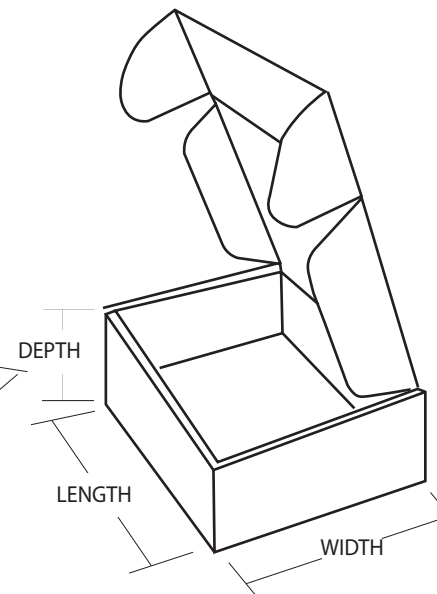
ONE PIECE FOLDER (OPF)



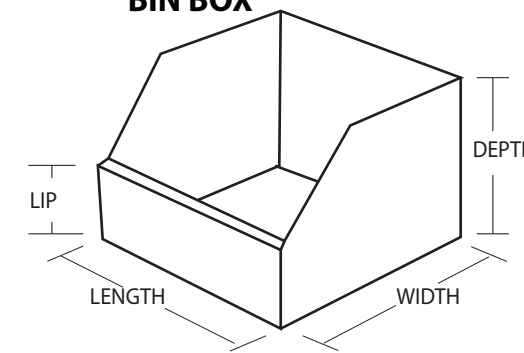
CORRUGATED MAILER



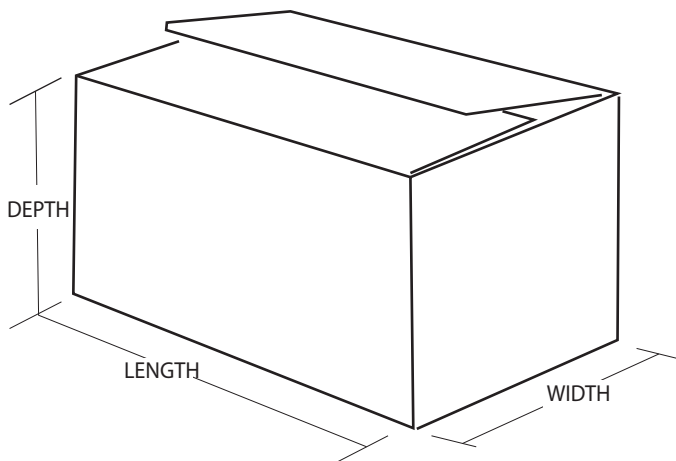
DELUXE MAILER



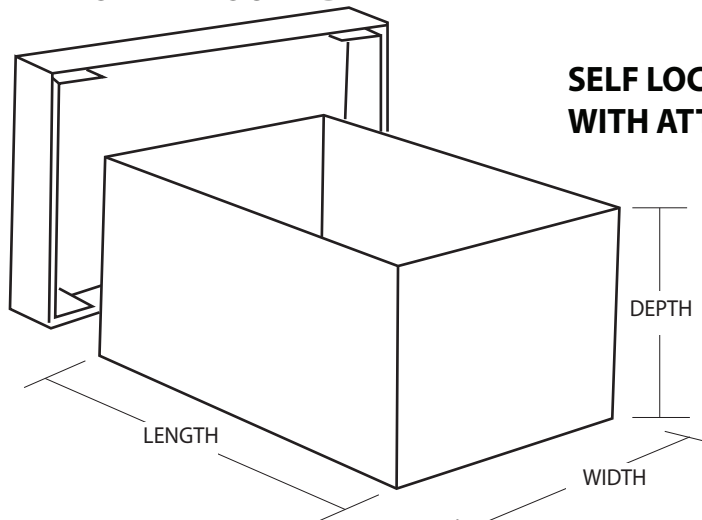
BIN BOX



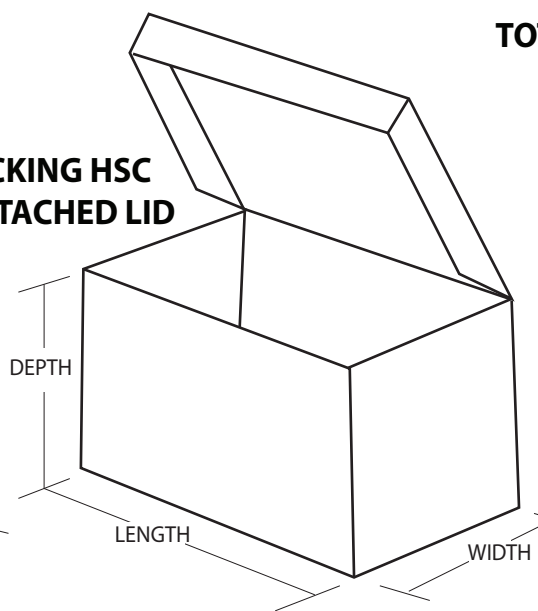
PARTIAL OR FULL OVERLAP CONTAINER (POL OR FOL)



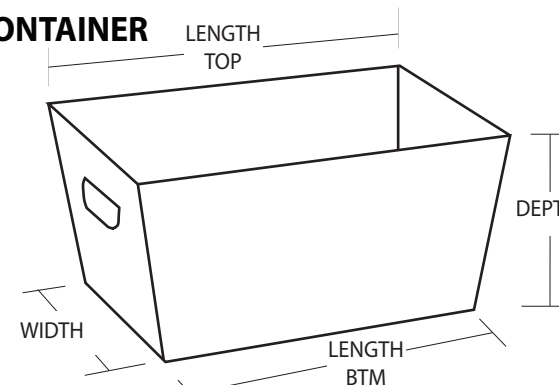
HALF SLOTTED CONTAINER (HSC) WITH OR WITHOUT LID



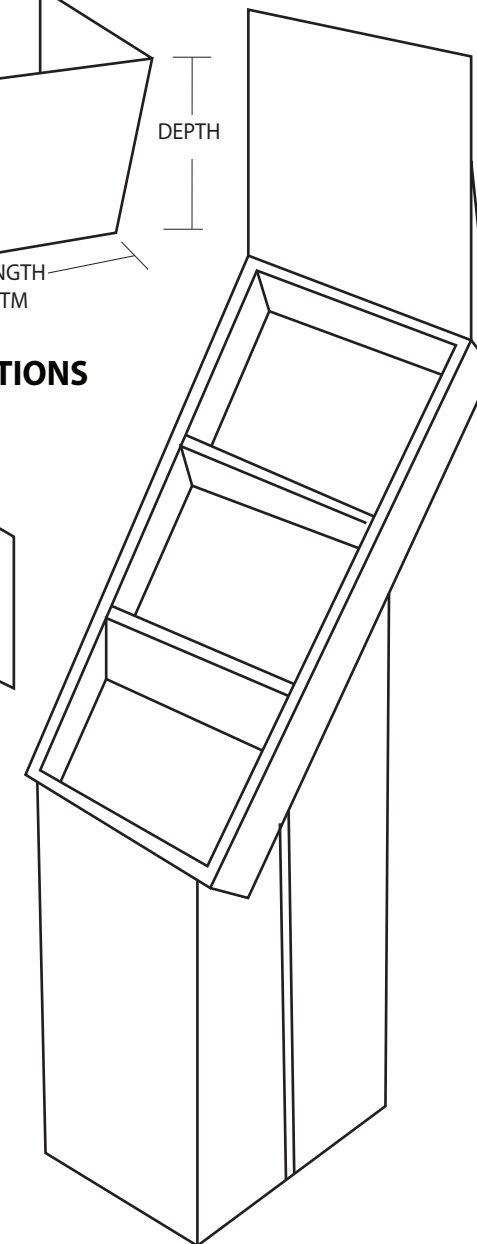
SELF LOCKING HSC WITH ATTACHED LID



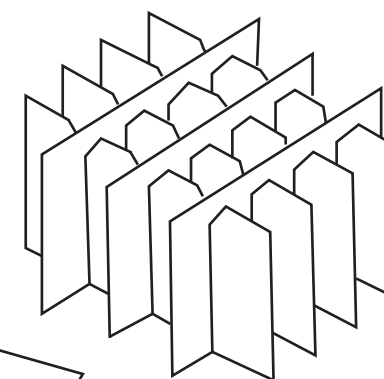
TOTE CONTAINER



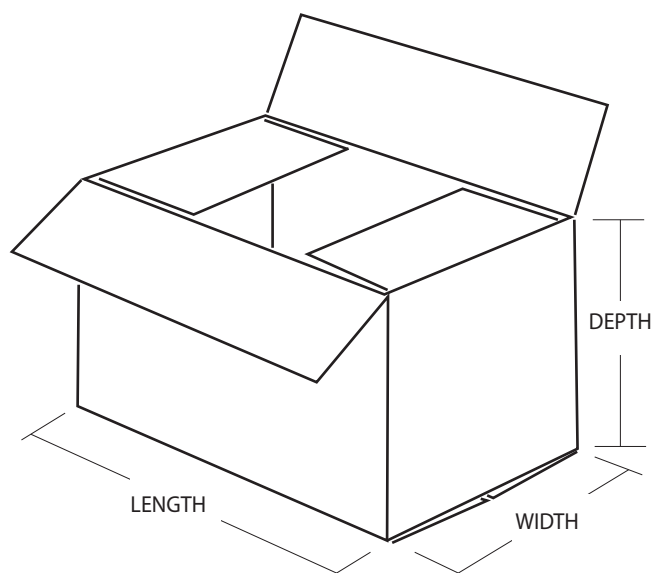
DISPLAYS



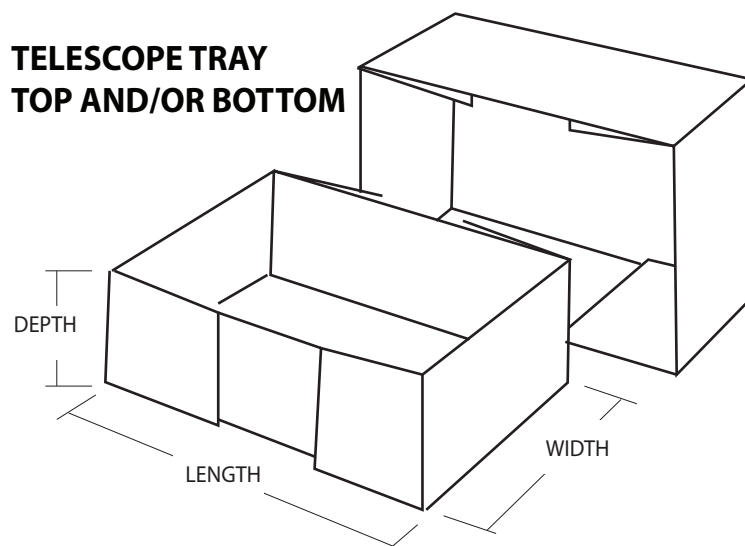
CELL - PARTITIONS



REGULAR SCORED CONTAINER (RSC)



TELESCOPE TRAY TOP AND/OR BOTTOM



PARTIAL OR FULL OVERLAP CONTAINER (POL OR FOL)

